



## 56X-6RZ

### TRUCK-MOUNTED CONCRETE PUMP

Placing boom	B6RZ 56
Pumping unit	PU1808
Driven by	Gearbox PTO
Chassis	8x4
For Australian market, we have to go for 16*4 chassis	

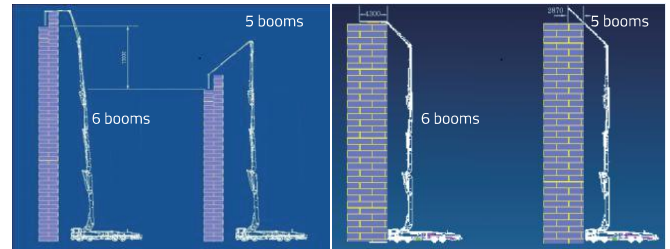


### Technical Specification

BOOM B6RZ 56		
Maximum vertical reach	m	56
Maximum horizontal reach (from center of slewing axis)	m	51
Maximum depth reach	m	40.2
Minimum unfolding height	m	15.8
Section numbers		6
Boom type		RZ
Pipeline diameter	mm	125
PUMP PU1808		
Maximum theoretical output	m <sup>3</sup> /h	180
Maximum theoretical pressure on concrete	bar	113
Concrete cylinders (diam. x stroke)	mm	260 x 2100
Hydraulic circuit		Closed
CHASSIS		
Chassis brand	m <sup>3</sup> /h	Benz
Engine power	kW	320
Emission standard		Euro 5

### Product Highlight

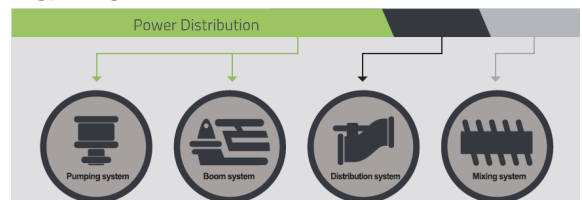
- High Effective: 6-sections boom technology



Placing height 13m higher

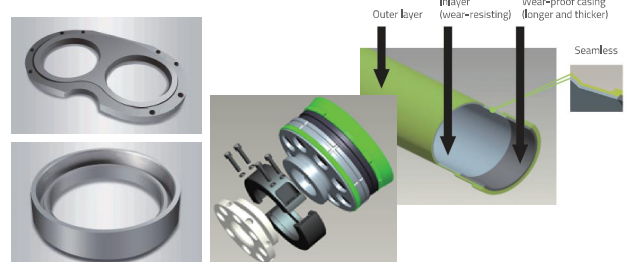
Placing range 50% larger

- Energy saving



The 4th self-adaptive variable power technology saves fuel by 10%.

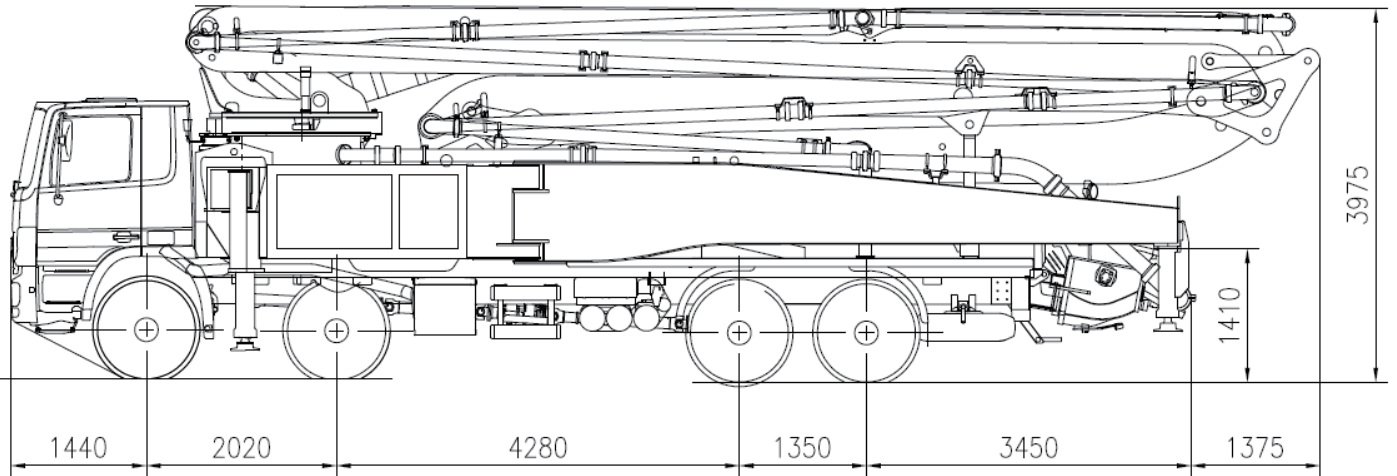
- Low Maintenance Cost



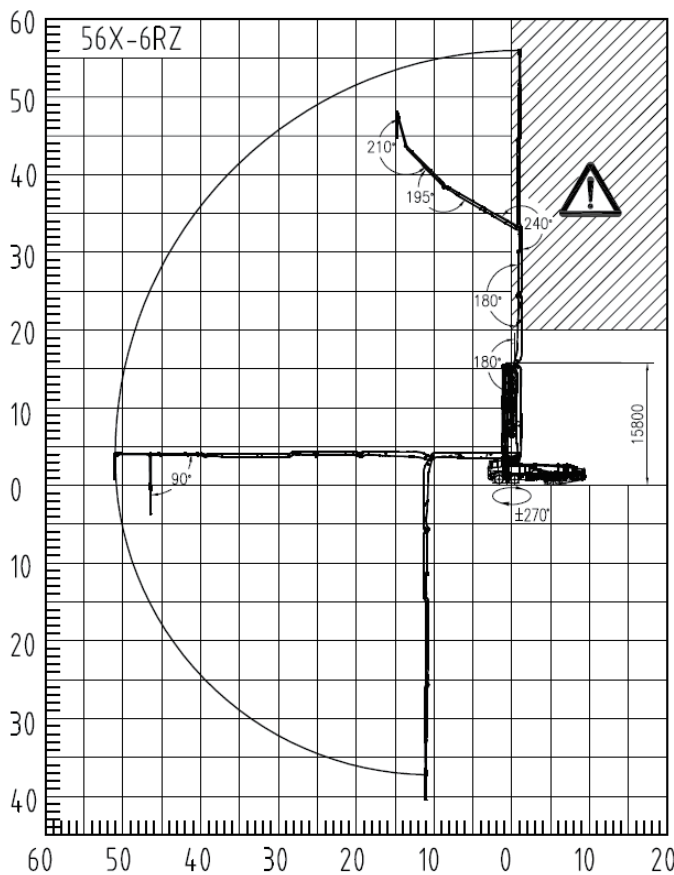
Wearing parts have long service life.



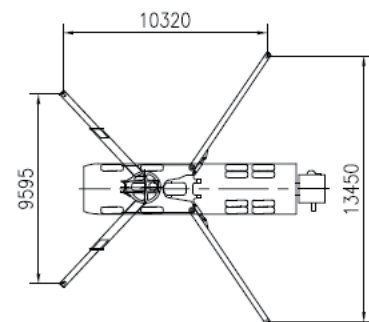
## 56X-6RZ



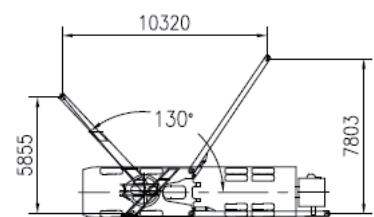
Note: Dimensions depend on truck.  
Dimensions in mm.



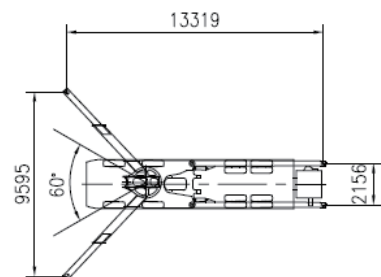
! : Range in which forbid to work.



Full support



Right/Left side support



Front support

