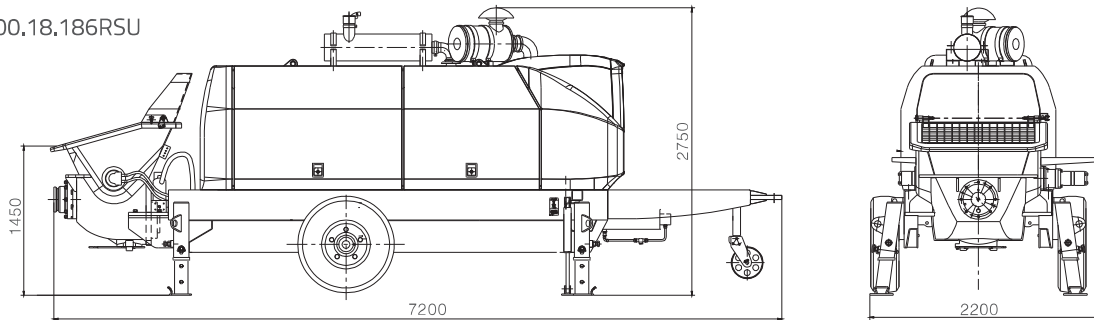




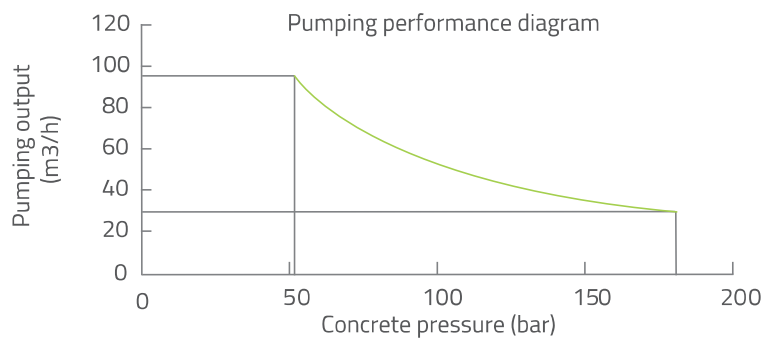
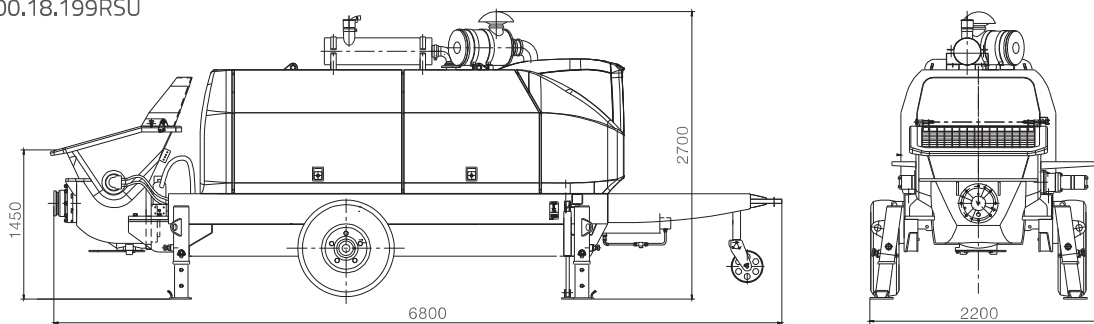
HBT100.18.186RSU HBT100.18.199RSU



HBT100.18.186RSU



HBT100.18.199RSU





HBT100.18.186RSU

HBT100.18.199RSU

Main Features

- **Intelligent control system:** Self diagnosis and protection function make the machine more stable and reliable. Configuration of the touch screen, real-time monitoring of operating conditions, view the fault records and maintenance skills.
- **Dual pump dual circuit hydraulic system:** Pumping hydraulic system and distribution hydraulic system cooperate with each other and do not interfere with each other. This design is easy to realize the logic control, and make the best performance of hydraulic system.
- **Flexible reversing technique:** Monitoring the whole pumping conditions. Automatically adjust the various mechanism to achieve smooth pumping of concrete without impact, improve the pumping efficiency, and extend parts' lives.
- **Best time difference logic reversing technique:** The main cylinder reversing and S valve change-over time is in the best state. The reversing impact is small, and the components' lives are longer.
- **Engine start at a key:** According to the rotation speed and the starting time, the utility model can automatically close or cut off the starting circuit. Protect the starting motor of the diesel engine.
- **Adaptive variable power technology:** According to the concrete conditions and pumping conditions, engine can always work at the best load rate, to ensure that it works at the economic fuel consumption level.
- **Long life wearing parts:** Reduce working cost remarkably. Continuously improve wearing part' s life by using new material, new process and new designing.

Standard Equipment

- 4 outriggers.
- Drawbar.
- Taper pipe.
- High/low pressure shifting.
- Air-cooling device.
- PLC.

Optional

- Electric vibrator on grid.
- Water pump.

Technical Data

Model		HBT100.18.186RSU	HBT100.18.199RSU
Max. theoretical output	m ³ /h	93/54	
Max. theoretical concrete output pressure	bar	100/180	
Strokes/minute	Min ⁻¹	27.3/15.8	
Concrete cylinder (diameter x stroke)	mm	Φ 200 x 1800	
Hopper capacity	L	600	
Filling height	mm	1450	
Max. aggregate diameter/ Inside diameter of delivering pipe	mm	50/Φ150 40/Φ125	
Inside diameter of pipe	mm	Φ125/Φ150	
Hydraulic system type		Open	
Power	kW	186	199
Length x width x height	mm	7200x2200x2750	6800x2200x2700
Weight	kg	7900	7800

Technical data and characteristic subject to modifications without notice.

