



63X-7RZ

TRUCK-MOUNTED CONCRETE PUMP

Placing boom	B7RZ 63
Pumping unit	PU1808
Driven by	Gearbox PTO
Chassis	8x4
For Australian market, we have to go for 7 axle chassis	

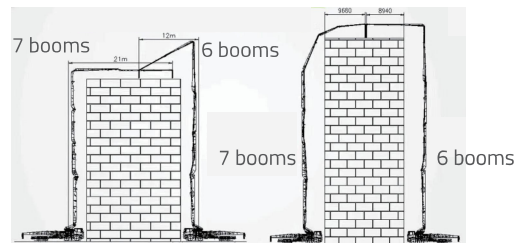


Technical Specification

BOOM B7RZ 63		
Maximum vertical reach	m	62.1
Maximum horizontal reach (from center of slewing axis)	m	56.9
Maximum depth reach	m	46.4
Minimum unfolding height	m	15.8
Section numbers		7
Boom type		RZ
Pipeline diameter	mm	125
PUMP PU1808		
Maximum theoretical output	m ³ /h	180
Maximum theoretical pressure on concrete	bar	113
Concrete cylinders (diam. x stroke)	mm	260 x 2100
Hydraulic circuit		Closed
CHASSIS		
Chassis brand	m ³ /h	Benz
Engine power	kW	320
Emission standard		Euro 5

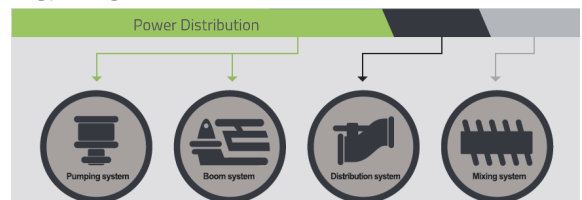
Product Highlight

- High Effective: 7-sections boom technology



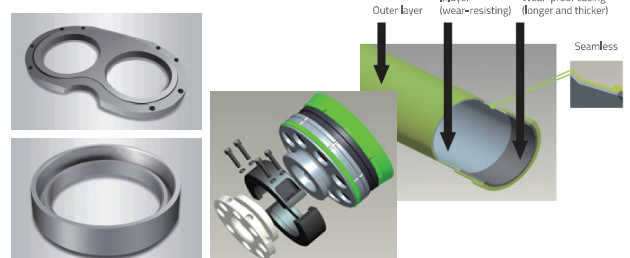
7 booms truck pump owns higher placing height and range.

- Energy saving



The 4th self-adaptive variable power technology saves fuel by 10%.

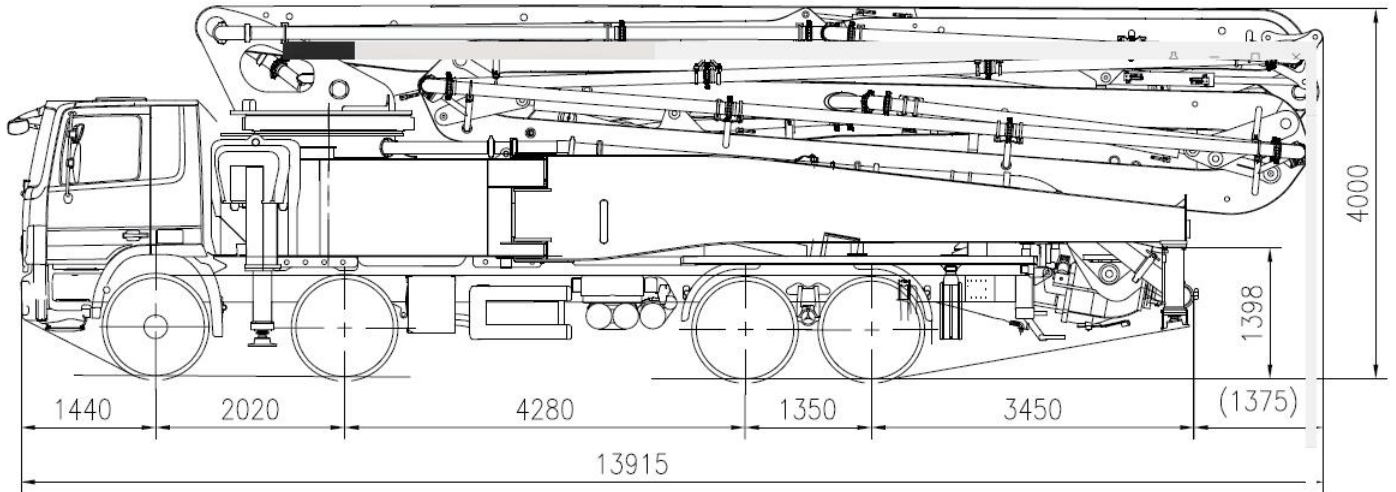
- Low Maintenance Cost



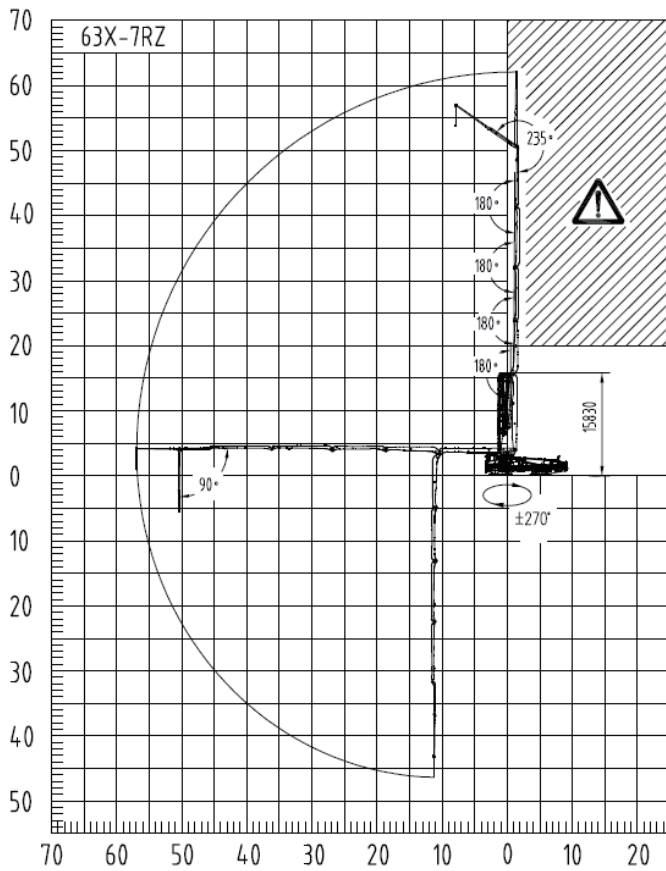
Wearing parts have long service life.



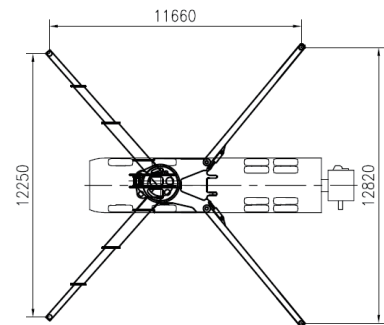
63X-7RZ



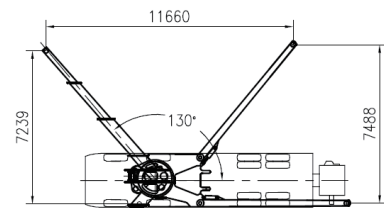
Note: Dimensions depend on truck.
Dimensions in mm.



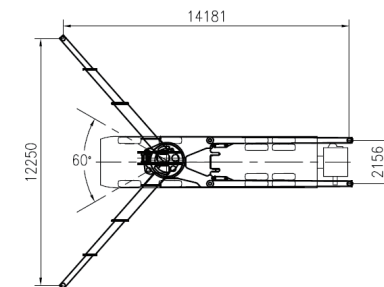
! : Range in which forbid to work.



Full support



Right/Left side support



Front support

